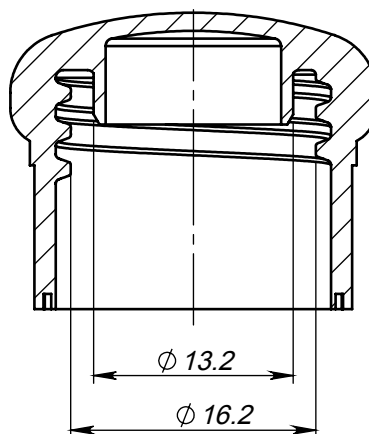
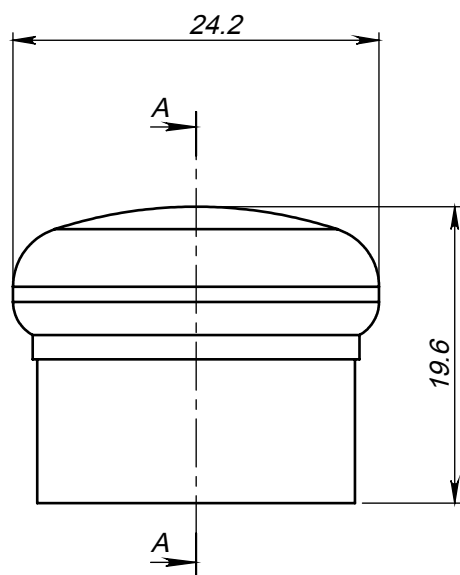




ITD Ltd.  
Production of moulds, preforms,  
plastic bottles, vials and caps

22, Hristo Botev Str.  
4190 Saedinenie, Bulgaria  
Tel. +359 32 606821  
Fax +359 32 606888  
www.itd.bg



*Резбата едноходова. 1 start thread.*  
*Стъпка 2.5 мм Pitch 2.5 mm.*

<i>Бар код</i> <i>Reference number</i>	<b>60740</b>
<i>Тегло</i> <i>Weight</i>	2.8 g
<i>Гърло</i> <i>Neck finish</i>	-
<i>Материал</i> <i>Material</i>	PP