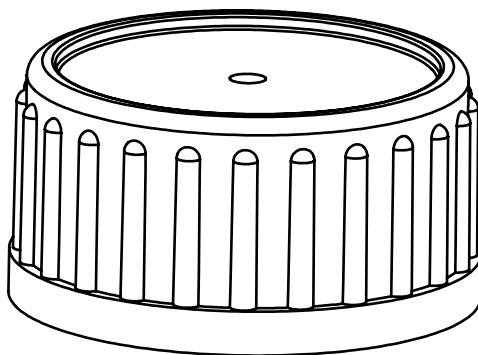
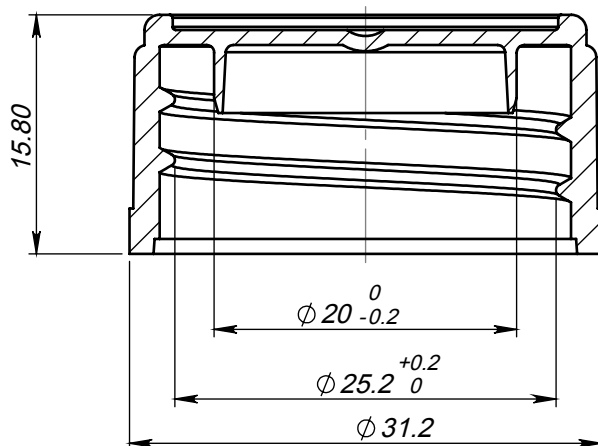




Production of moulds, preforms,
plastic bottles, vials and caps

22, Hristo Botev Str.
4190 Saedinenie, Bulgaria
Tel. +359 32 606821
Fax +359 32 606888
www.itd.bg



*Резбата едноходова.
Стъпка 4 мм.*

*1 start thread.
Pitch 4 mm.*

<i>Reference number</i>	60300
	2.6±0.3
<i>Neck finish</i>	-
	PEHD