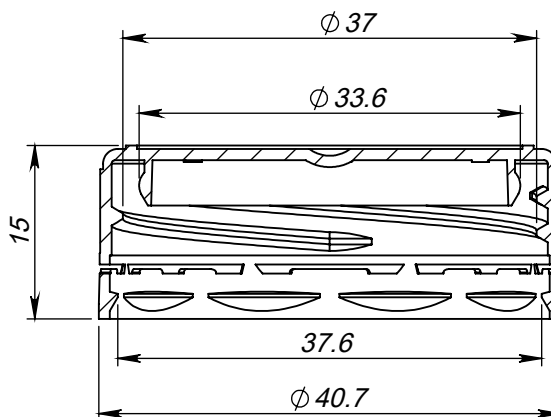




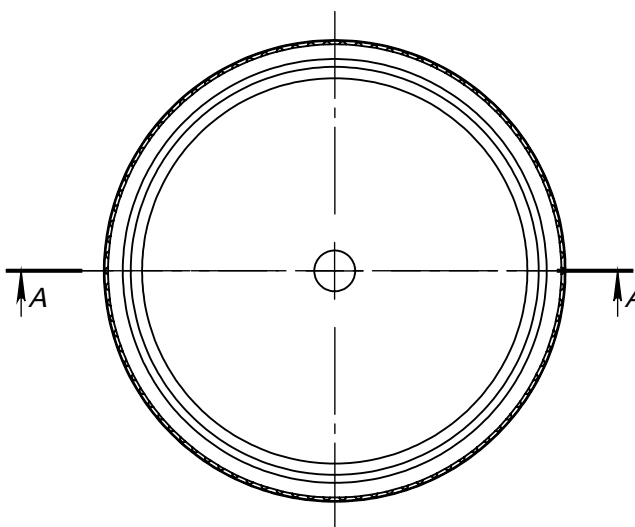
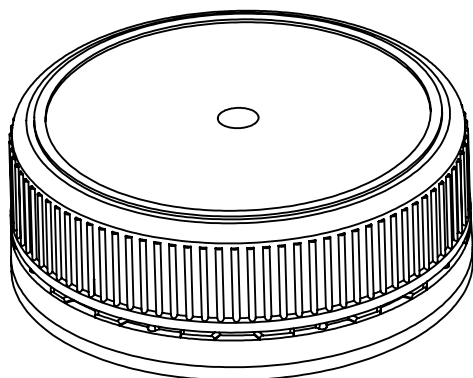
ITD Ltd.

Production of moulds, preforms,
plastic bottles, vials and caps

72, Chardafon Veliki Str.
Saedinenie, Bulgaria
Tel. +359 32 606 821
Fax +359 32 606 888
e-mail: office@itd.bg
www.itd.bg



SECTION A-A
SCALE 1.5 : 1



Триходова резба. 3 starts thread.
Стъпка 9 мм. Pitch 9 mm.

Бар код Reference number	60990
Материал Material	HDPE
Гърло Neck finish	38 mm